

Alleyway Theatre Technical Summary

The Theatre: Black Box, 32' x 64' x 20' high, but usually set in 8 traditional rows for 96 seats.

The Stage: 32' wide by 20' deep or approximately 640 sq. ft., at a height of 24" above the theatre floor with access from up left and up right, and steps into the audience both down left and down right.

Soft Goods: black curtains are dead-hung across the rear of the stage, a light blue cyc is dead-hung just down of the rear blacks, and seven black legs (7'x18') may be hung as needed.

The Lighting Grid: covers the entire theatre space 18' above the theatre floor accessible by extension ladder.

The Lighting System: ETC Express 24/48 controller, 48 dimmers/circuits and over 50 standard stage lighting instruments, mirror ball, strobe light and 4-color borders upstage. A unit plot is in place.

The Control Booth: overlooks the theatre from second floor behind audience, facing the stage.

The Dressing Room: comfortably accommodates up to 10.

Other Equipment: 1 upright piano, miscellaneous curtains, 2 masking flats and 1 follow spotlight

Alleyway Theatre Sound Equipment Inventory

1 Mini-Disc player/recorder

1 Cassette Tape Deck

1 CD Player

1 God Microphone In Booth

1 Backstage/Onstage Microphone With Stand

2 (Stereo) Speakers/Mounted At The Grid Up-Left And Up-Right

1 Voice-Of-The-Theatre Speaker Mounted Behind Audience

1 Movable/Onstage Speaker Cabinet

1 Six-Channel Sound Mixer

1 Sound Effects/Reverb Generator

1 Sound Amplifier

Booth/Dressing Room Monitor System

Booth to Backstage to House Intercom System

Main Street Cabaret Specifications

Main Street Cabaret is on the first floor at the front (Main Street end) of the Alleyway building and features:

Private audience entrance off Main Street

Box Office Counter in outer front vestibule.

A 10 ft. high ceiling.

A small stage (240 sq. ft.) 1 step above the theatre floor dressed with black curtains.

Built-in concessions counter within the theatre space.

1 dressing room comfortably accommodating up to 8.

Private entrance for performers.

Private lavatory for performers.

Twelve dimmer, two-scene preset stage lighting system equipped with 10 6" fresnels mounted on Unistrut ceiling channel.

Window protected control booth.

Audience seating set traditionally in rows on three sides for up to 70.

Dimmable house lights controlled from both the built-in concessions counter and control booth.

1 cassette tape recorder/player.

1 CD player.

1 sound amplifier.

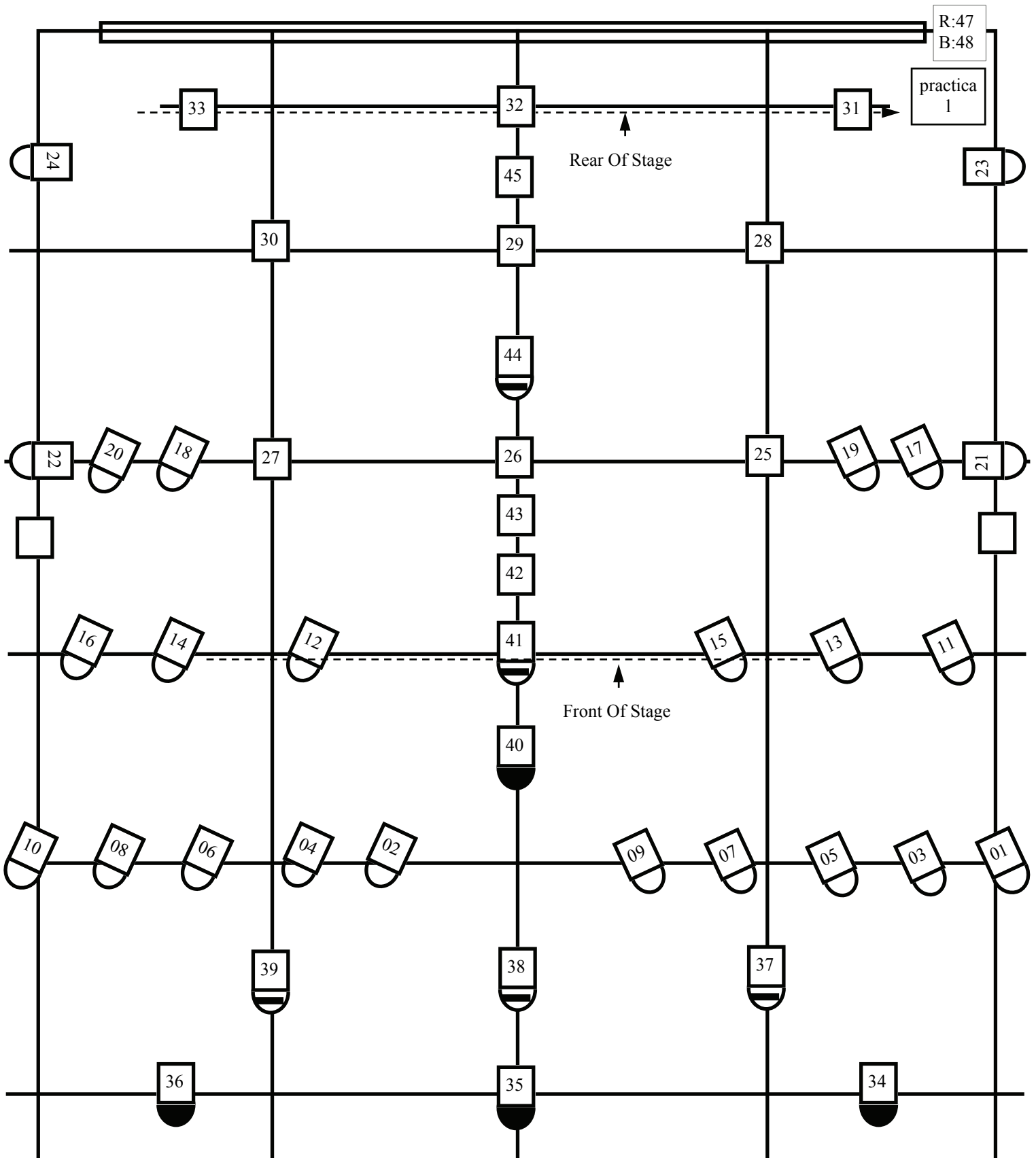
1 4-channel sound mixer.





2 (stereo) room speakers mounted behind audience.

1 god microphone.

1 upright piano.

Lobby display/bulletin boards are available to renters.



Alleyway Theatre UNIT LIGHT PLOT	1-20 Area Front		6X9 Leko		6" Fresnel
	21-24 Side		6X9 Century Leko		6X9 Altman Leko w/gobo
	25-33 Top/Back				
	34-36 Wash Front				
	37-45 Specials				
	46 Practical				
	47-48 Border Red/Blue				